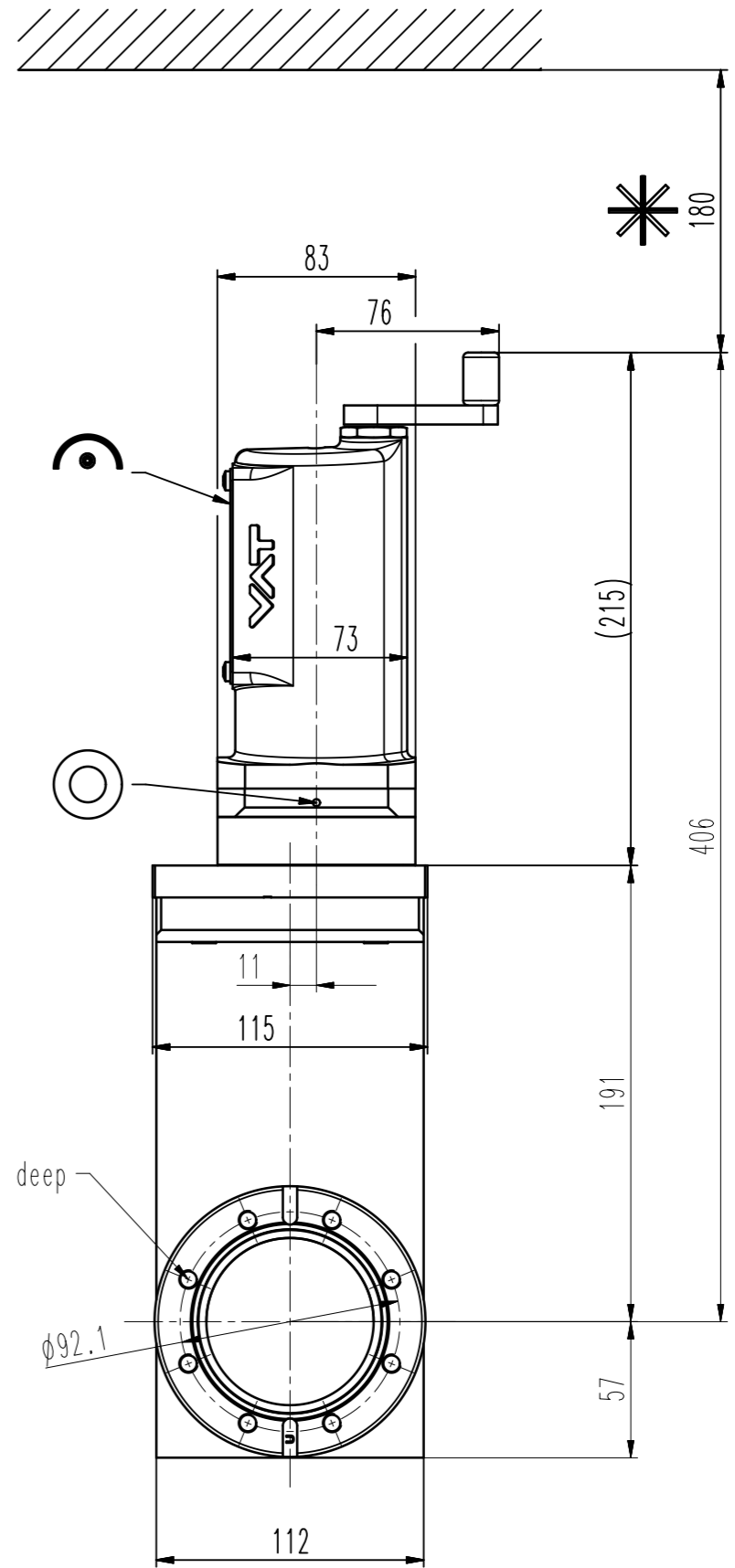


8x 5/16"-24UNF, 13 deep



- ▼ Seat side
- ⊙ Comp. air connection
- ⊙ Electrical connection
- ⊙ Leak detection port
- ⊙ Mech. pos. indication
- ⊙ Position indicator
- ⊙ Required for dismantling
- ⊙ Emergency actuation
- ⊙ For attachment
- ⊙ Bake-out area
- ⊙ Differential pumping port

HV gate valve



VAT Vakuumventile AG
 CH-9469 Haag, Switzerland
 Tel ++41 81 7716161 Fax ++41 81 7714830

Rev.-Date: 04.08.21
 Visa: FRRO

Series	111	Ordering No.	11136-UE01-0001
Projection E	DN	Flange	
	63	CF-F UNF	
Dimensional Drawing	1119735	Rev.	A