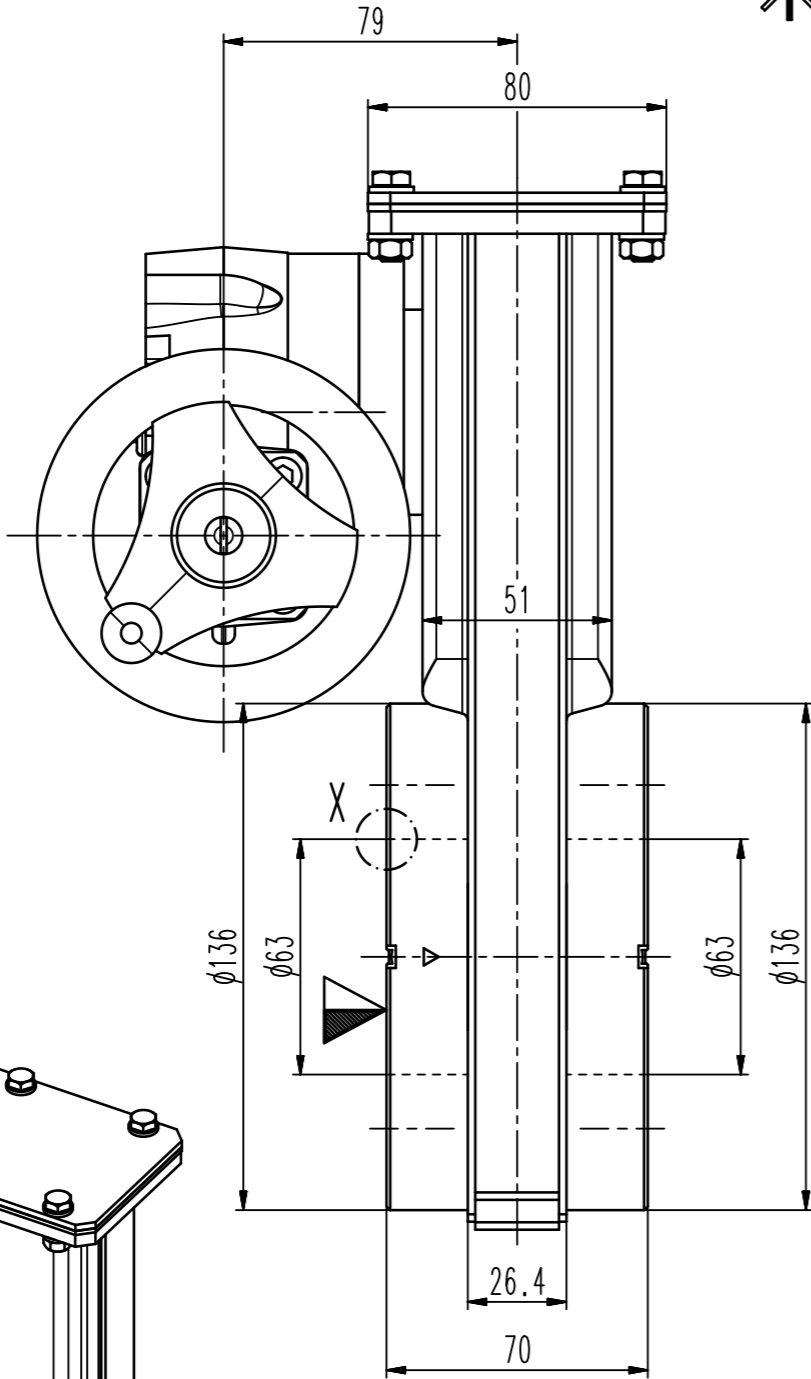
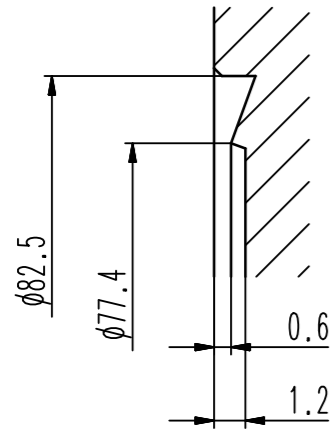


This drawing is the property of VAT.

Revision

Customer number

Knife edge
Detail X



180

210

146

73

152

30

33

78

305

134

8x M8
13 deep

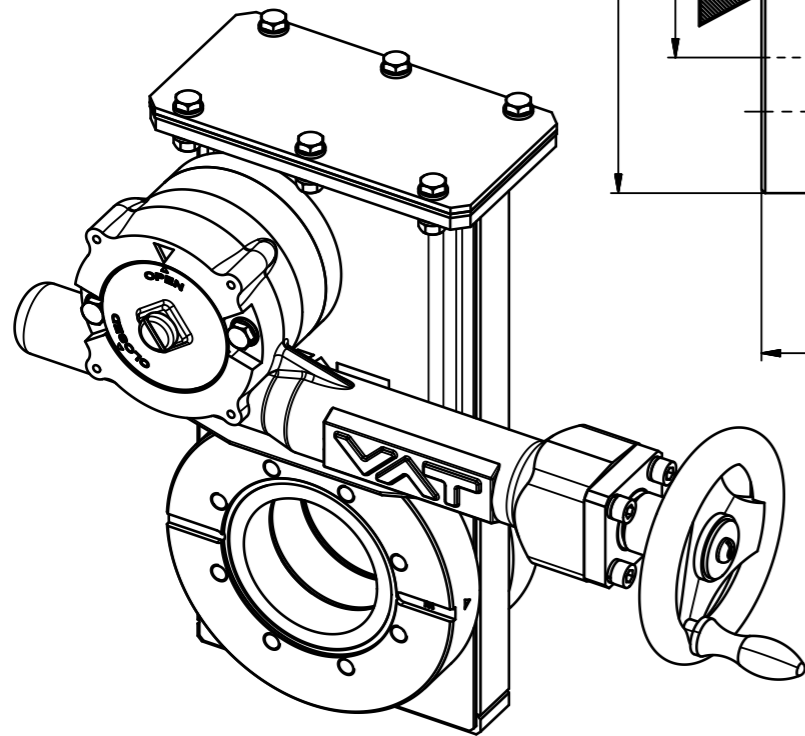


OPEN

CLOSED



100



- ▼ Seat side
- ⊙ Comp. air connection
- ⊙ Electrical connection
- ⊙ Leak detection port
- ⊙ Mech. pos. indication
- ⊙ Position indicator
- ⊙ Required for dismantling
- ⊙ Emergency actuation
- ⊙ For attachment
- ⊙ Bake-out area
- ⊙ Differential pumping port

HV gate valve



VAT Vakuumentile AG

CH-9469 Haag, Switzerland
Tel ++41 81 7716161 Fax ++41 81 7714830

Rev.-Date: 24.10.12

Visa: VOM

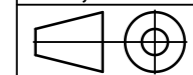
Series

140

Ordering No.

14036-CE01-0004

Projection E



DN

63

Flange

CF-F m

Dimensional
Drawing

230356

Rev.

A

VAT/DA