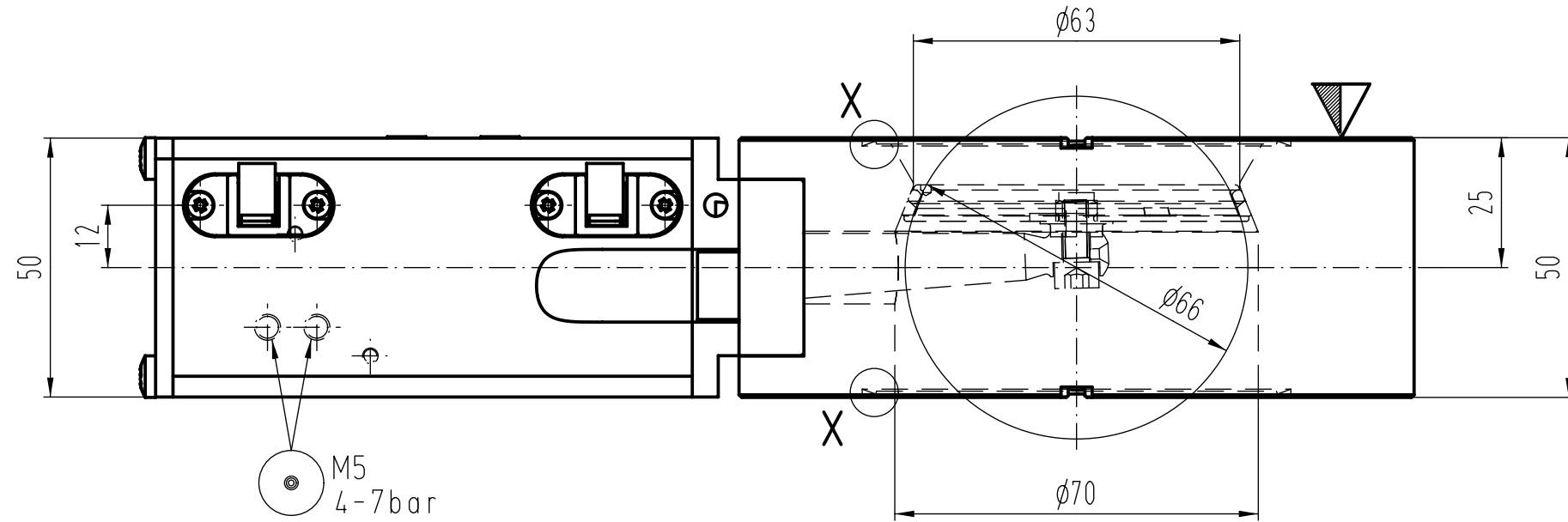
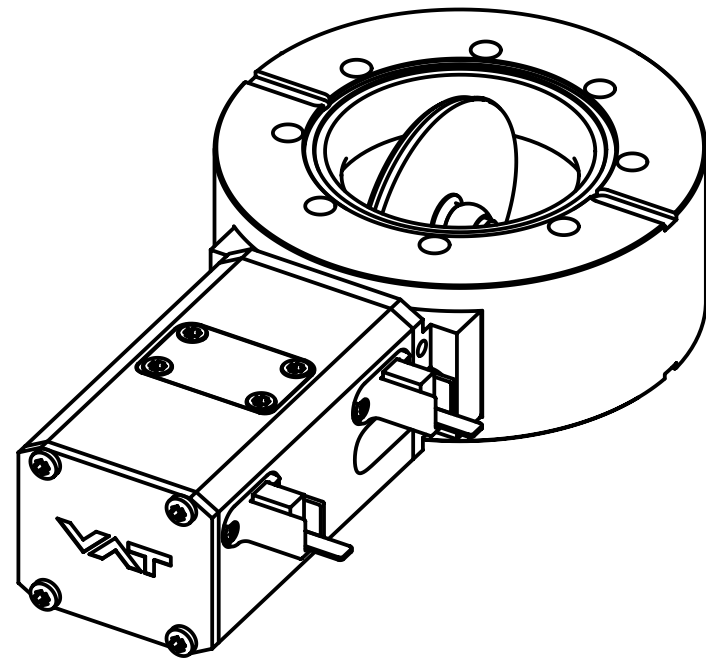
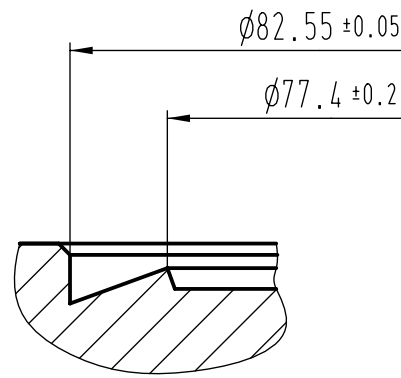


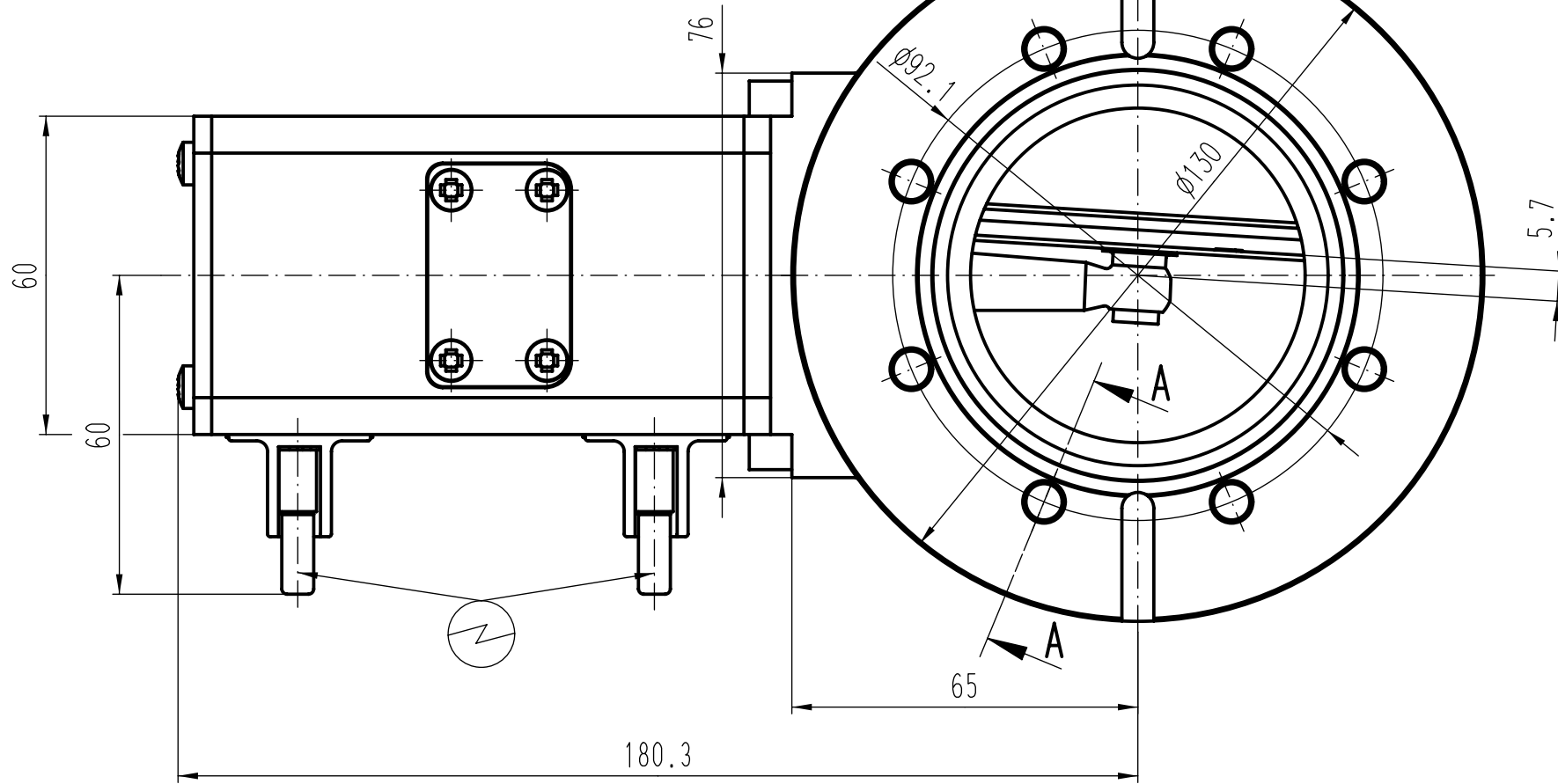
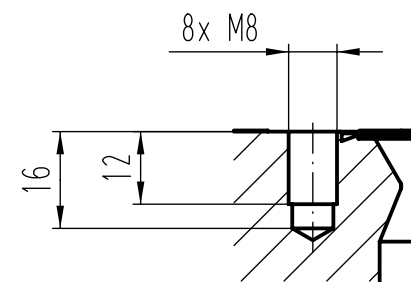
This drawing is the property of VAT.
Without the written consent of VAT, it must
not be copied or distributed to a third person



X (5:1)



A-A



| | |
|----------|--|
| Revision | |
| Code | |
| Date | |
| Name | |

- ▼ Seat side
- ⊙ Comp. air connection
- ⊕ Electrical connection
- ⊙ Leak detection port
- ⊙ Mech. pos. indication
- ⊙ Position indicator
- ⊙ Required for dismantling
- ⊙ Emergency actuation
- ⊙ For attachment
- ⊙ Bake-out area
- ⊙ Differential pumping port

Vatterfly Valve

pneumatic actuator



VAT Vakuumventile AG
CH-9469 Haag, Switzerland
Tel ++41 81 7716161 Fax ++41 81 7714830

Date: 24.06.03
Name: VEA

| | | | |
|---------------------|--------|--------------|------------|
| Series | 203 | Ordering No. | 20336-CE24 |
| Projection E | | DN | 63 |
| | | Flange | CF-F |
| Dimensional Drawing | 240705 | Rev. | |