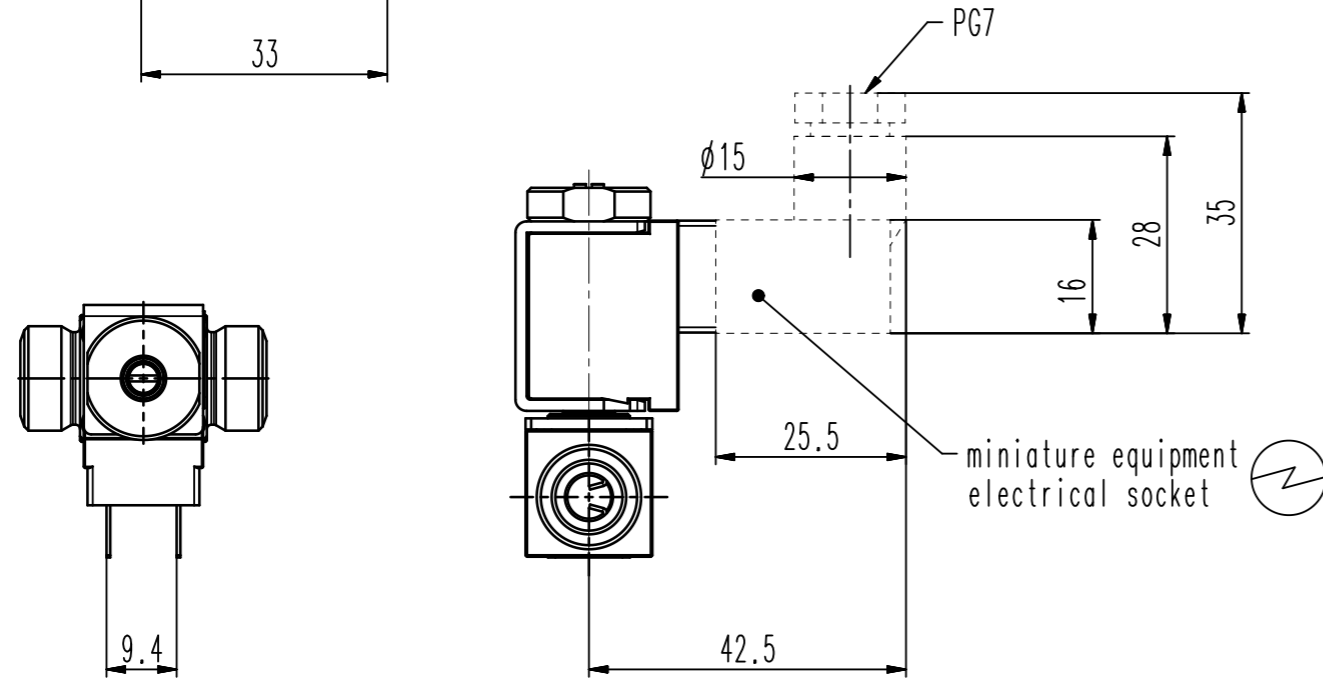
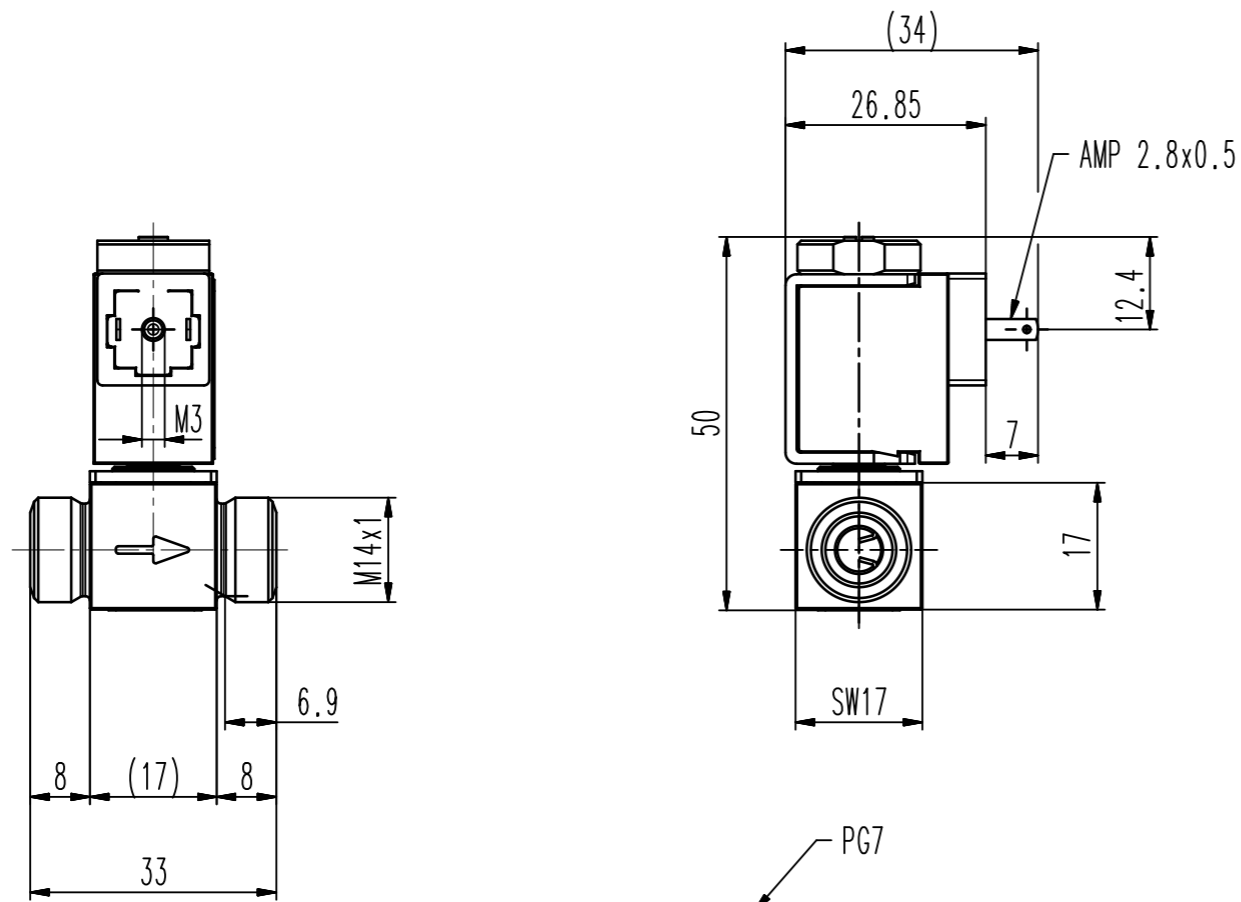


This drawing is the property of VAT.

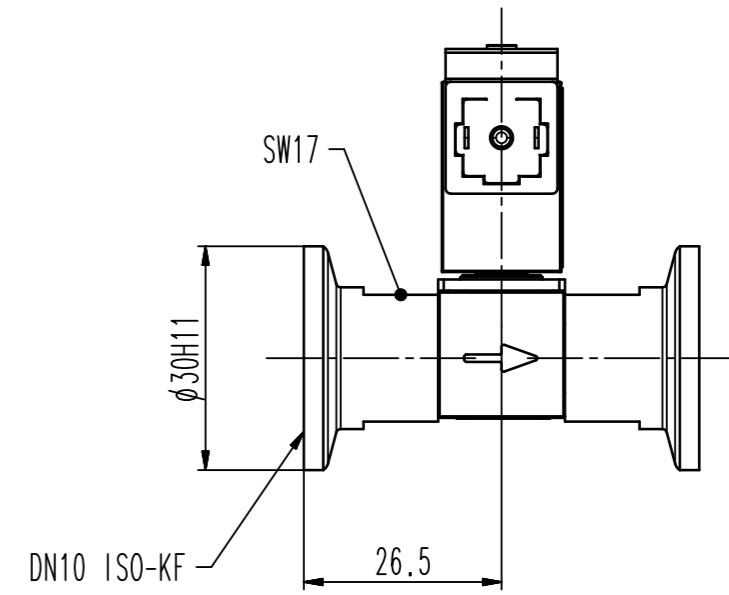
Revision

Customer number

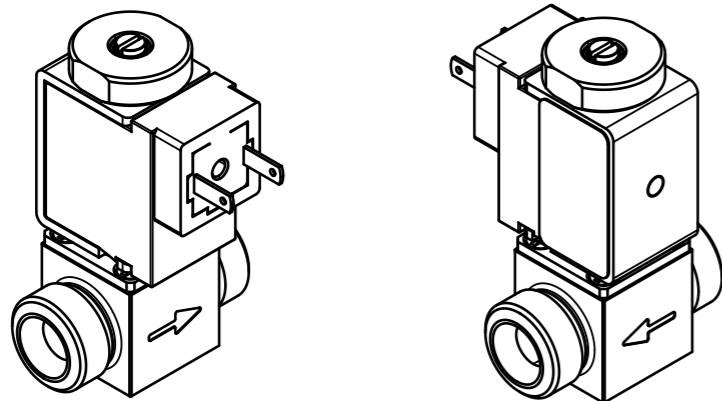
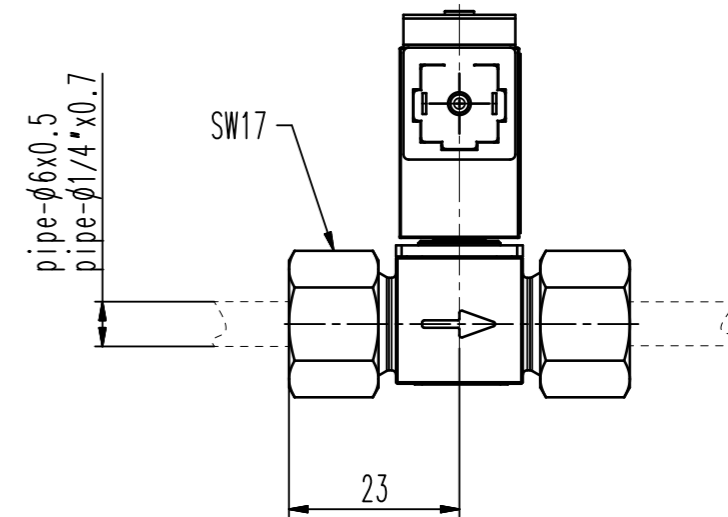


Adapters (accessories)

DN10 ISO-KF (M1:1)



pipe OD 6mm / pipe OD 1/4" (M1:1)



- ▼ Seat side
- ⊙ Comp. air connection
- ⊙ Electrical connection
- ⊙ Leak detection port
- ⊙ Mech. pos. indication
- ⊙ Position indicator
- ⊙ Required for dismantling
- ⊙ Emergency actuation
- ⊙ For attachment
- ⊙ Bake-out area
- ⊙ Differential pumping port

Gas dosing valve

flange: thread M14x1; product: Control range max. 1000 sccm;



VAT Vakuumentile AG

CH-9469 Haag, Switzerland
Tel ++41 81 7716161 Fax ++41 81 7714830

Rev.-Date: 23.12.21

Visa: RUA

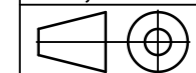
Series

627

Ordering No.

62714-XE64-ABI3

Projection E



DN

5

Flange

X

Dimensional Drawing

1124687

Rev.

B

VAT/DA