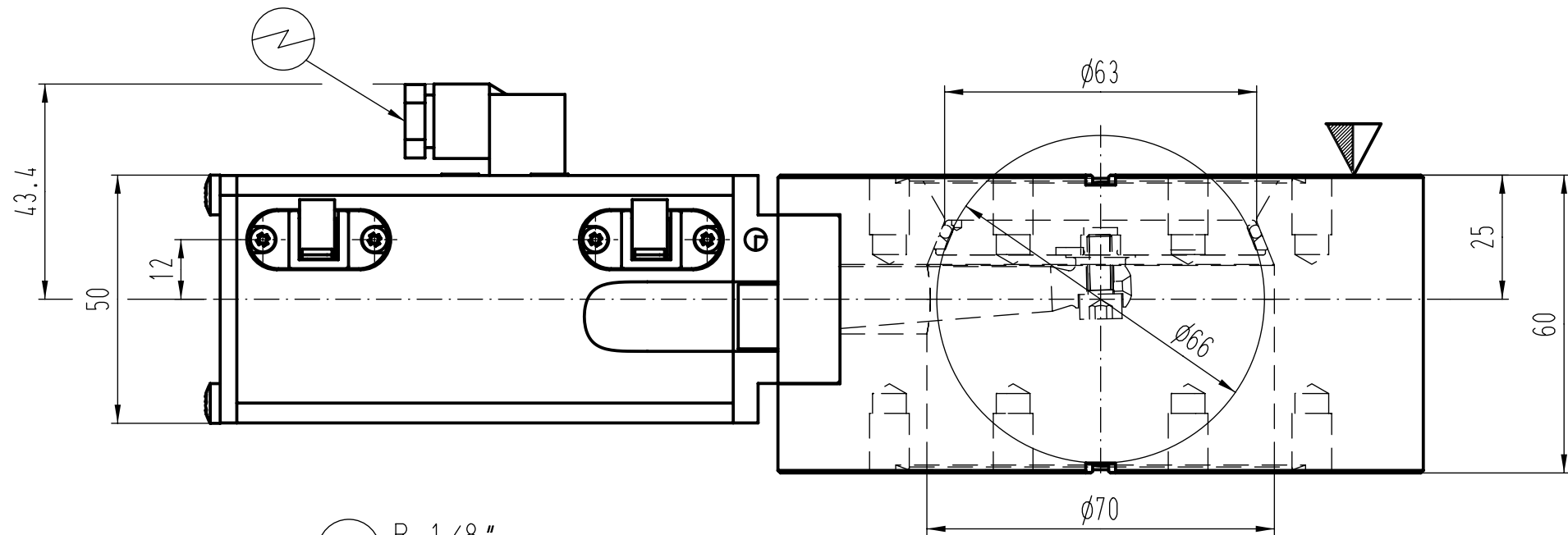
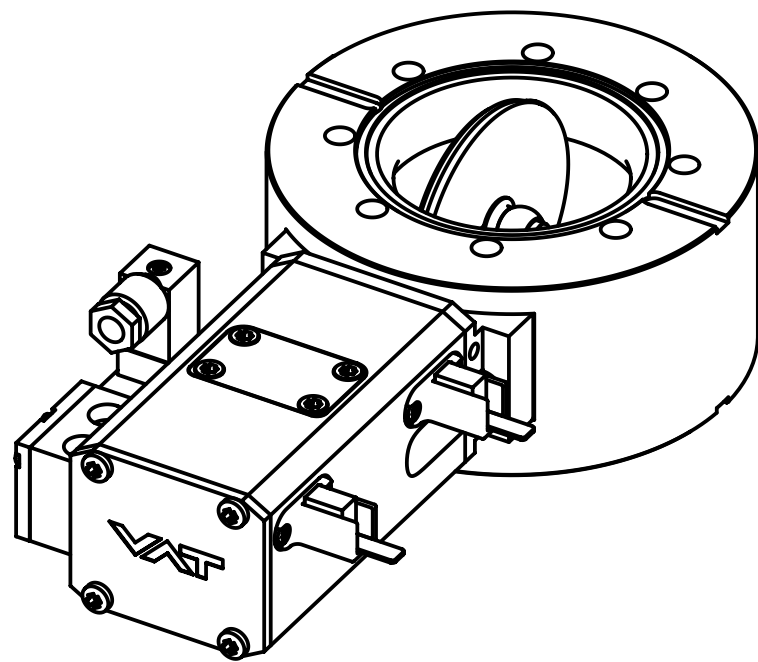
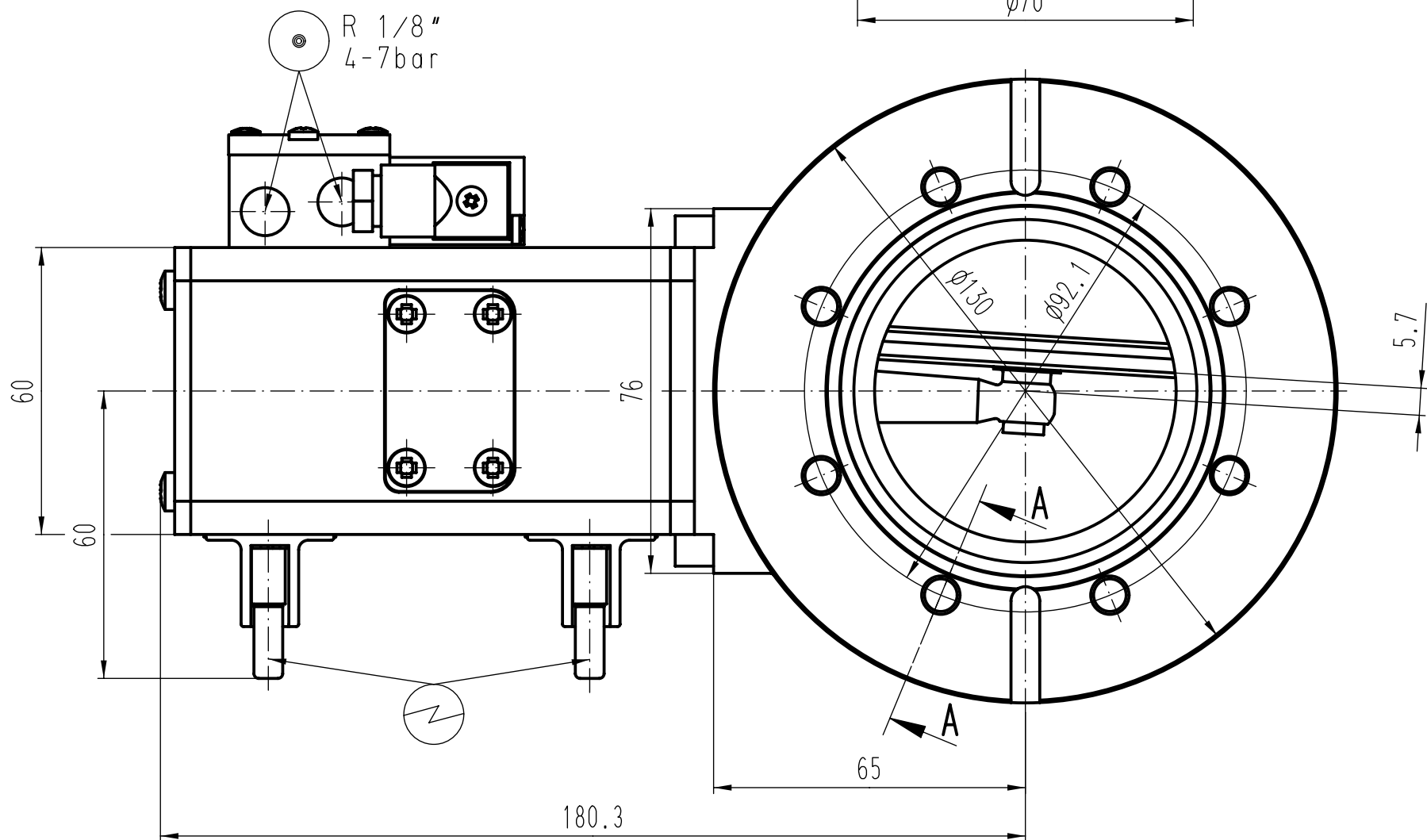
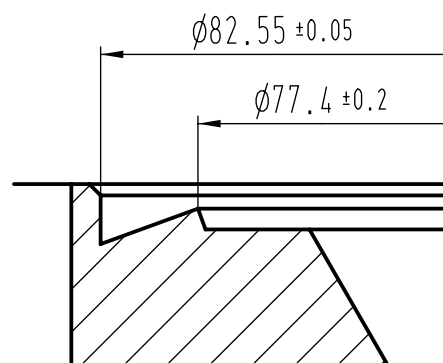


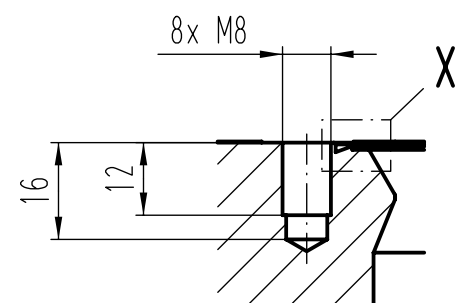
This drawing is the property of VAT.
Without the written consent of VAT, it must
not be copied or distributed to a third person



X 5:1



A-A



- ▼ Seat side
- ⊙ Comp. air connection
- ⊕ Electrical connection
- ⊖ Leak detection port
- ⊗ Mech. pos. indication
- ⊘ Position indicator
- ⊙* Required for dismantling
- ⊙ Emergency actuation
- ⊙ For attachment
- ⊙ Bake-out area
- ⊙ Differential pumping port

Vatterfly Valve

pneumatic actuator



VAT Vakuumventile AG
CH-9469 Haag, Switzerland
Tel ++41 81 7716161 Fax ++41 81 7714830

Date: 21.11.03
Name: KIM

Series	204	Ordering No.	20436-CE44
Projection E		DN	63
Flange		CF-F	
Dimensional Drawing	244935	Rev.	

Revision
Code
Date
Name