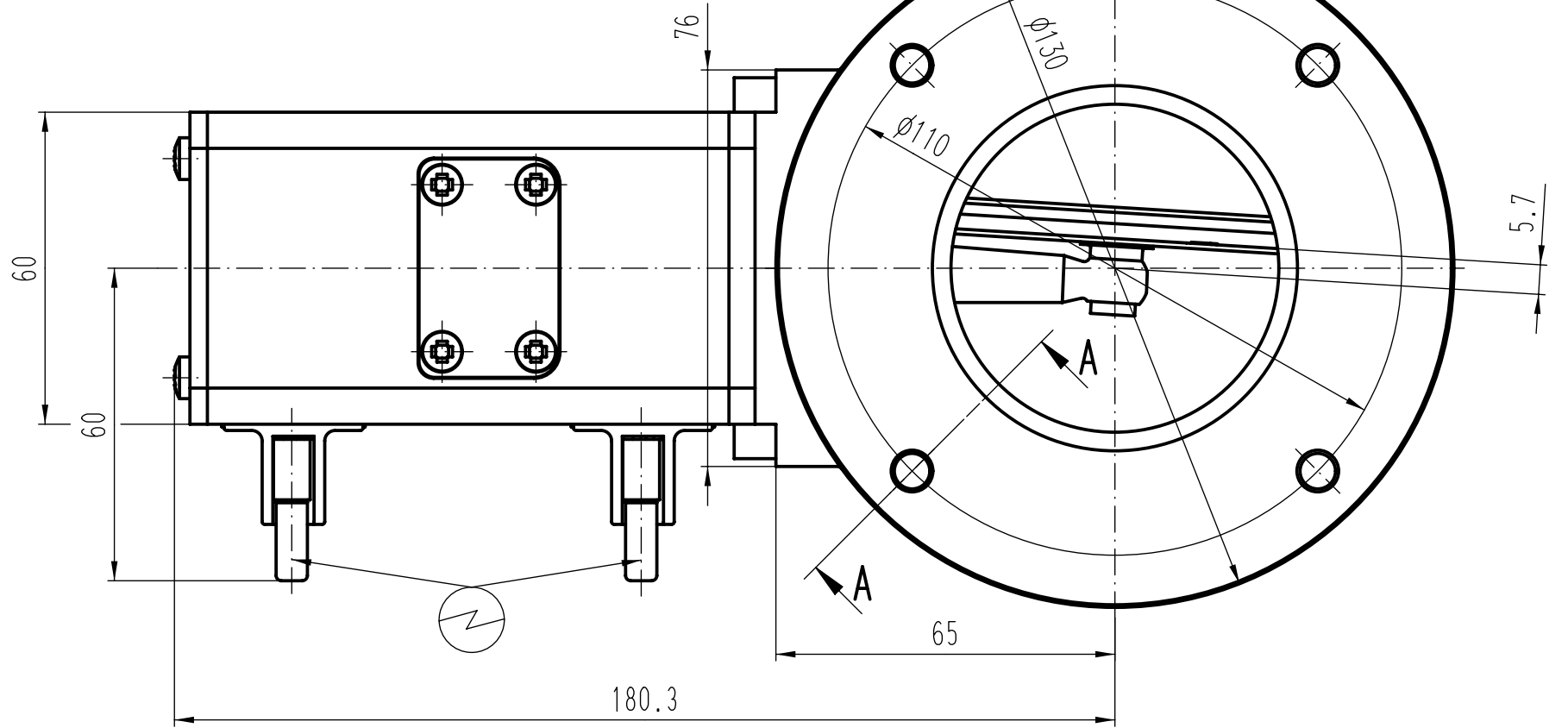
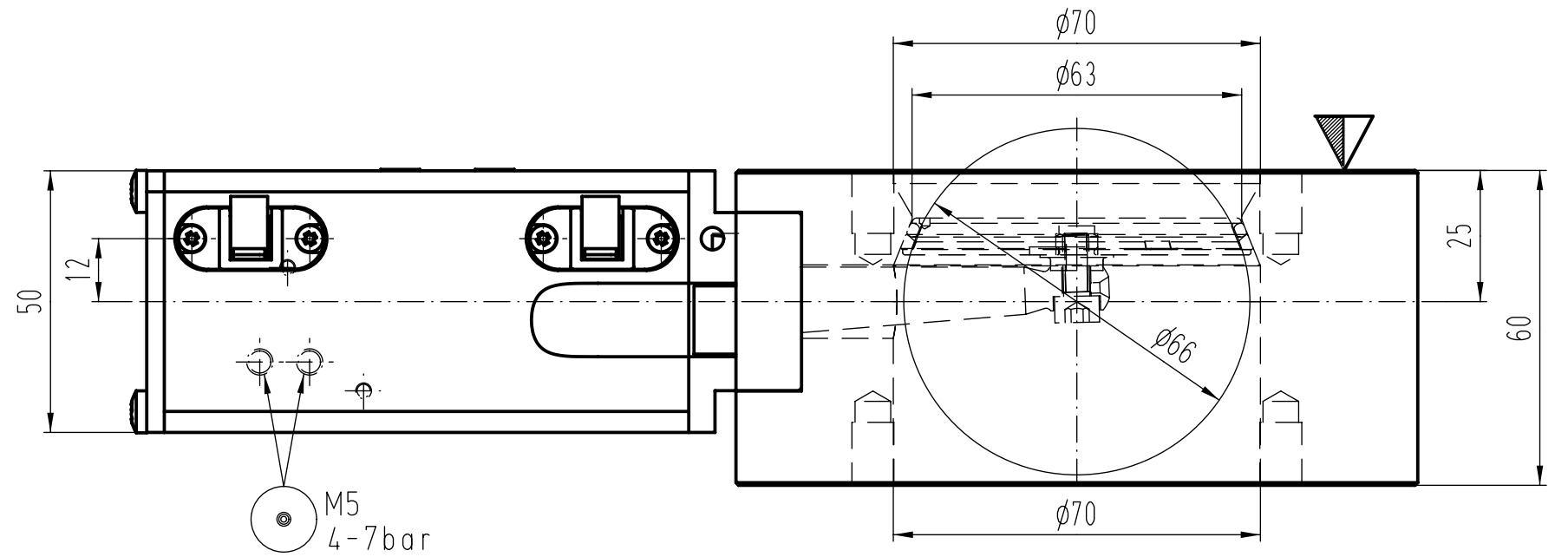
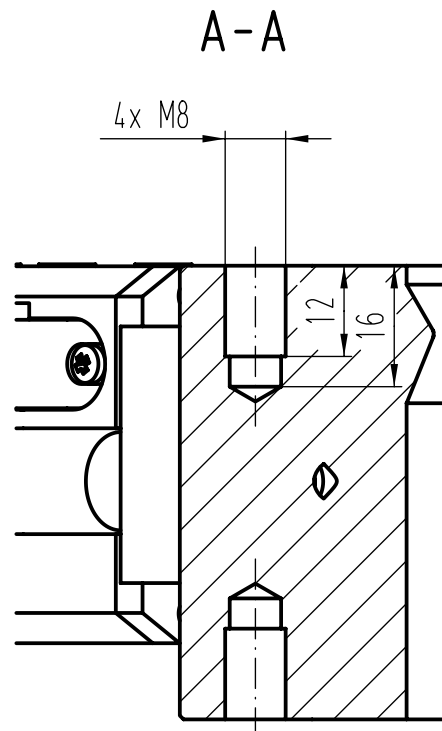
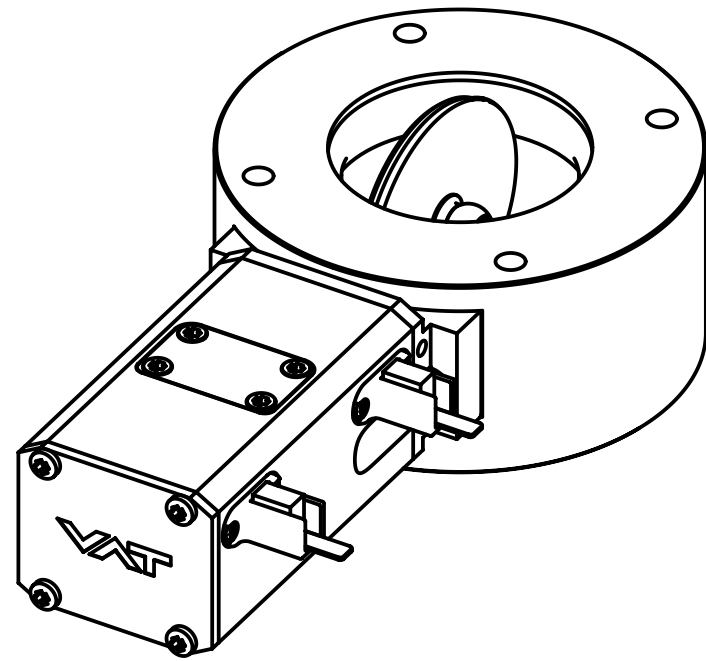


This drawing is the property of VAT.
Without the written consent of VAT, it must
not be copied or distributed to a third person



Revision	
Code	
Date	
Name	

- ▼ Seat side
- ⊙ Comp. air connection
- ⊕ Electrical connection
- ⊖ Leak detection port
- ⊗ Mech. pos. indication
- ⊘ Position indicator
- ⊙* Required for dismantling
- ⊙ Emergency actuation
- ⊙ For attachment
- ⊙ Bake-out area
- ⊙ Differential pumping port

Vatterfly Valve
pneumatic actuator

VAT Vakuumentile AG
CH-9469 Haag, Switzerland
Tel ++41 81 7716161 Fax ++41 81 7714830

Date: 25.11.03
Name: KIM

Series	204	Ordering No.	20436-PA24
Projection E		DN	63
		Flange	ISO-F
Dimensional Drawing	244525		Rev.