



VAT Vakuumventile AG
CH-9469 Haag, Schweiz

Product data sheet

Large UHV gate valves, Series 192, DN 630 (25")
Ordering No. 19256-PE44

Description

Flange	ISO-F 630
Actuator	pneumatic, double acting – with solenoid valve – with position indicator
Feedthrough	Shaft feedthrough

Technical data

Leak rate	– Valve body – Valve seat	$< 5 \cdot 10^{-10}$ mbar ls ⁻¹ $< 1 \cdot 10^{-9}$ mbar ls ⁻¹
Pressure range		$1 \cdot 10^{-10}$ mbar to 1 bar (abs)
Differential pressure on the gate	– in opening direction – in closing direction	≤ 1 bar ≤ 1 bar
Differential pressure at opening		≤ 10 mbar
Conductance (molecular flow)		186 000 ls ⁻¹
Cycles until first service		20 000 (unheated and under clean conditions)
Temperature (Maximum values: depending on operating conditions and sealing materials)	– Valve body – Actuator – Solenoid valve – Position indicator	≤ 150 °C ≤ 80 °C ≤ 50 °C ≤ 80 °C
Heating and cooling rate		30 °C h ⁻¹
Material	– Valve body – Mechanism – Bellows	AISI 304 (1.4301) EN AW-6082 (3.2315), AISI 304 (1.4301) AISI 316L (1.4435) or AISI 304L (1.4306)
Seal	– Bonnet – Gate – Actuator	Metal FKM (Viton®) NBR
Mounting position		any
Volume of pneumatic actuator		4.8 l / 0.170 ft ³
Compressed air min. – max. overpressure		6 – 9 bar / 87 – 131 psi
Compressed air connection		G $\frac{1}{8}$ " (1/8" NPT for USA)
Actuation time	– closing – opening	14 s 14 s
Weight		390 kg / 860 lbs

Created by: SCHMC	Release date: 10.04.2019	1/2
Modified by:	Release date:	976995EA



VAT Vakuumventile AG
CH-9469 Haag, Schweiz

Product data sheet

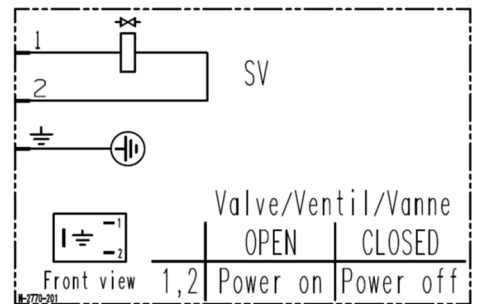
Large UHV gate valves, Series 192, DN 630 (25")
Ordering No. 19256-PE44

Behavior in case of compressed air pressure drop	– Valve closed – Valve open – During actuation	valve remains closed undefined undefined
Behavior in case of power failure	– Valve closed – Valve open – During actuation	valve remains closed valve closes valve closes

Electrical connections

Solenoid valve

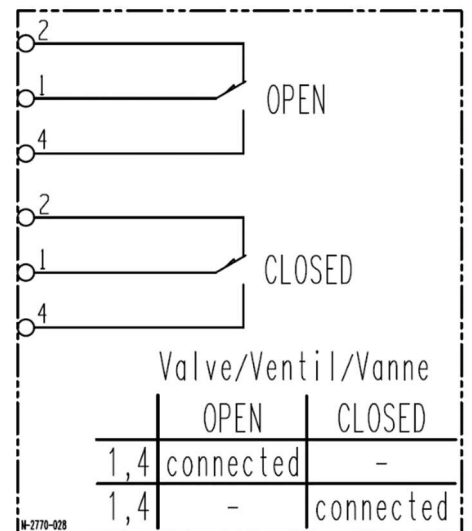
Type	5/2 way
Voltage	Defined by order



Wiring diagram

Position indicator

Type	Micro switch
Voltage	≤ 250 V AC ≤ 50 V DC
Current max.	≤ 3 A ≤ 1.2 A



Wiring diagram

Created by: SCHMC	Release date: 10.04.2019	2/2
Modified by:	Release date:	976995EA