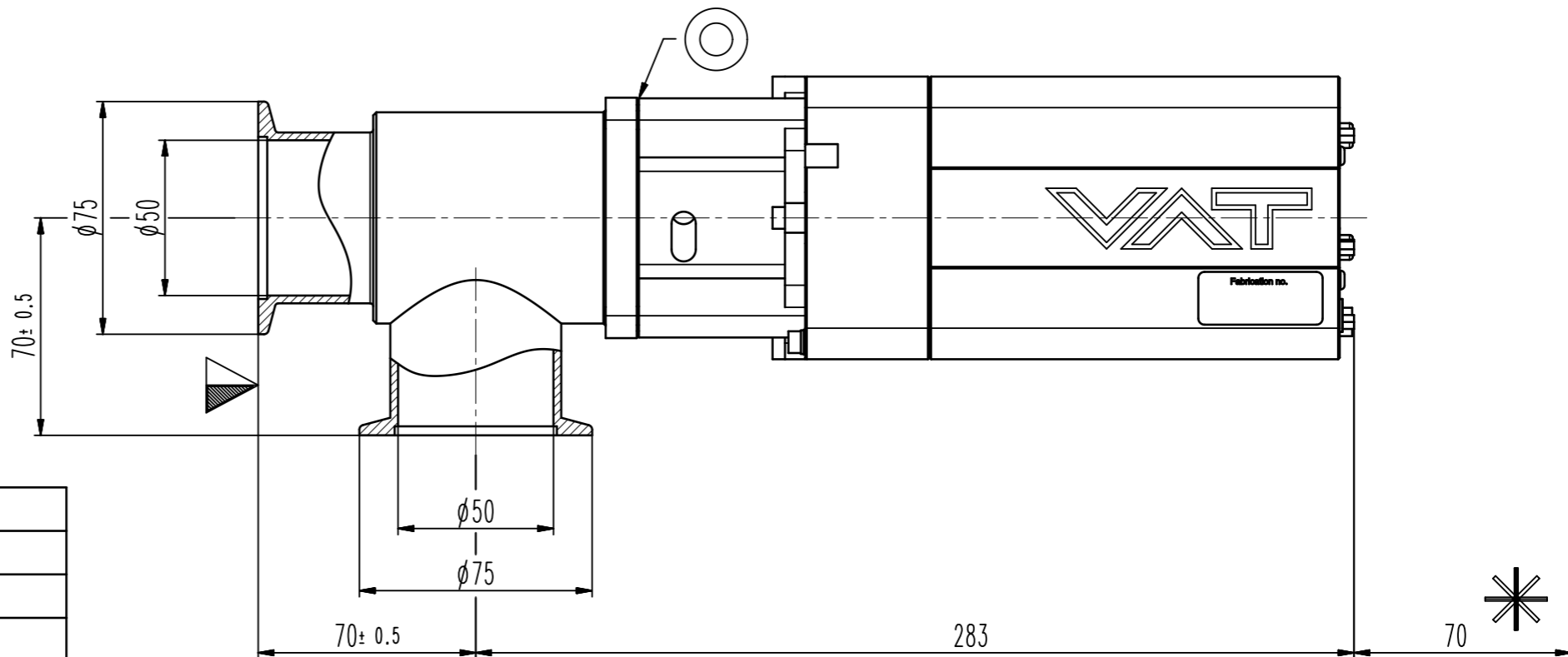
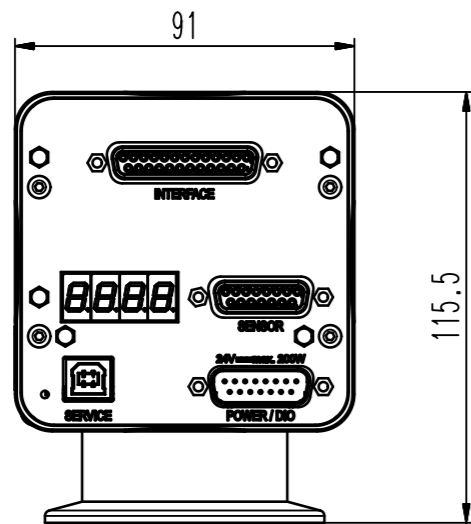


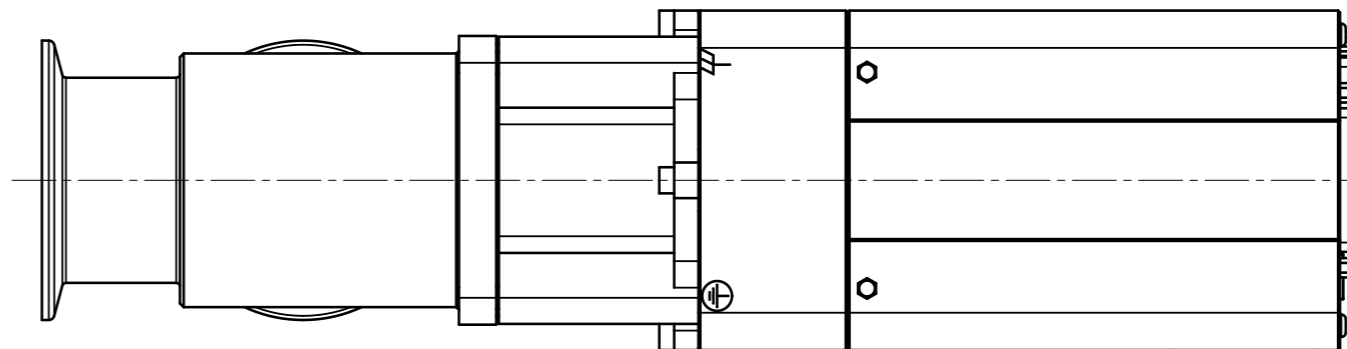
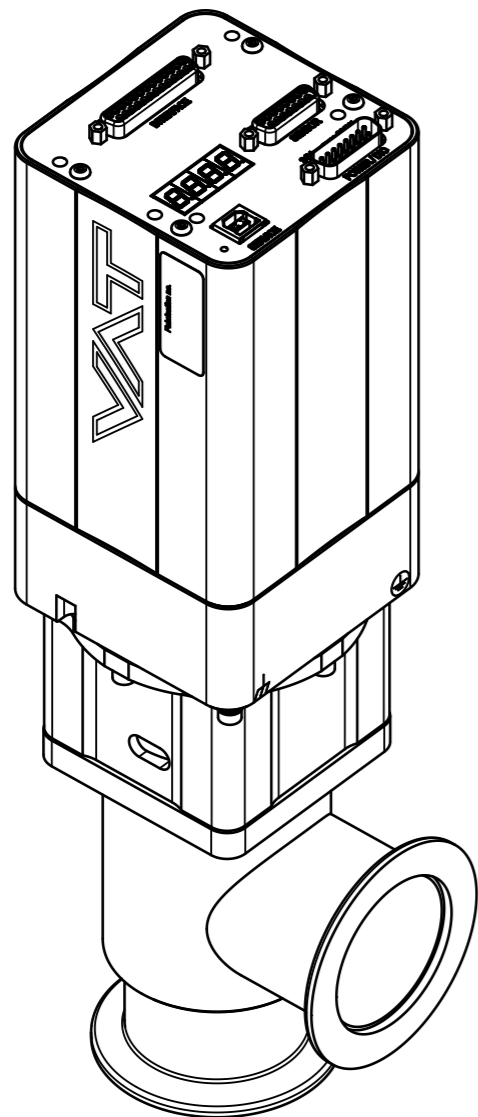
This drawing is the property of VAT.

Revision

Customer number



| Connectors | | |
|-------------|-------------------------------------|----------------------|
| | Description | Type |
| POWER / DIO | Power input / digital IO | D-SUB DA-15 (male) |
| SENSOR | Sensor input Sensor power supply | D-SUB DA-15 (female) |
| SERVICE | Service interface | USB type-B |
| INTERFACE | RS232 interface | D-SUB DB-25 (female) |



- ▼ Seat side
- ⊙ Comp. air connection
- ⊙ Electrical connection
- ⊙ Leak detection port
- ⊙ Mech. pos. indication
- ⊙ Position indicator
- ⊙ Required for dismantling
- ⊙ Emergency actuation
- ⊙ For attachment
- ⊙ Bake-out area
- ⊙ Differential pumping port

Control angle Valve
RS232 interface / 2 sensors



VAT Vakuumventile AG
CH-9469 Haag, Switzerland
Tel ++41 81 7716161 Fax ++41 81 7714830

Rev.-Date: 24.02.23
Visa: GKY

| | | | |
|---------------------|--------|--------------|-----------------|
| Series | 620 | Ordering No. | 62034-KEGH-0001 |
| Projection E | DN | Flange | keine ISO-KF |
| Dimensional Drawing | 913065 | Rev. | A |