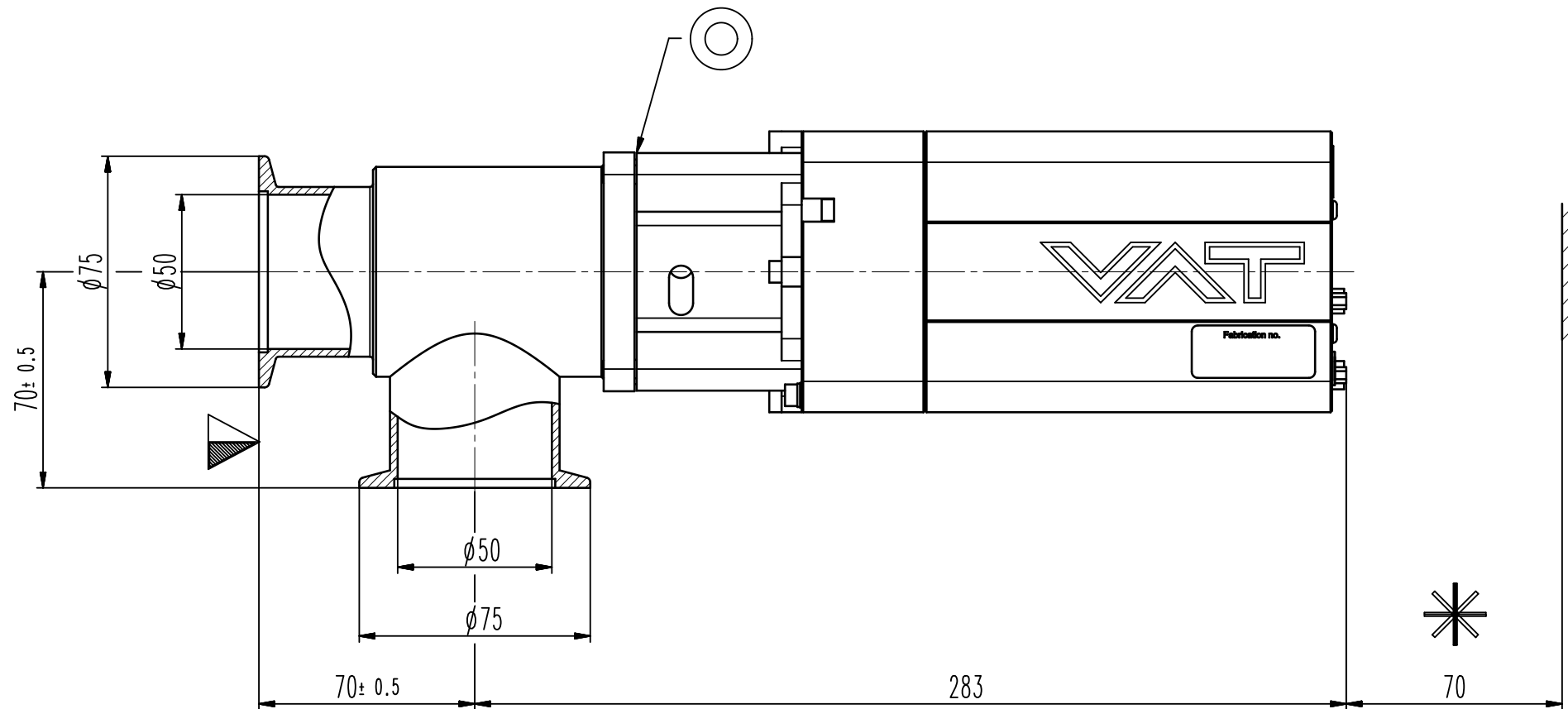
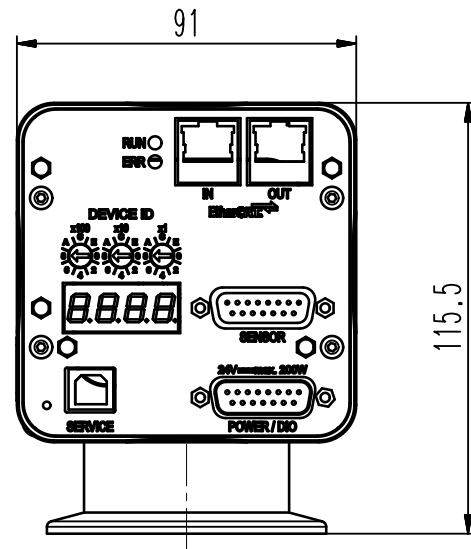


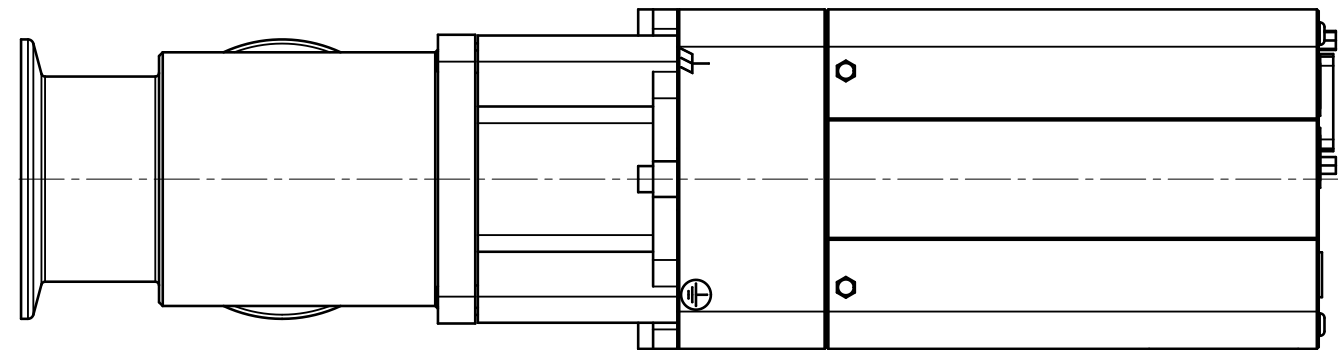
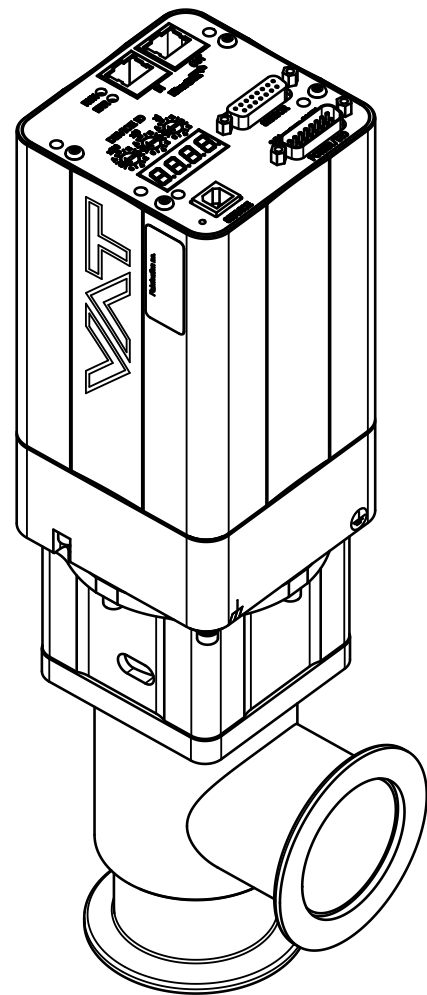
This drawing is the property of VAT.

Revision

Customer number



Connectors		
	Description	Type
POWER / DIO	Power input / digital IO	D-SUB DA-15 (male)
SENSOR	Sensor input Sensor power supply	S-SUB DA-15 (female)
SERVICE	Service interface	USB type-B
INTERFACE	EtherCAT interface	2x RJ-45



- ▼ Seat side
- ⊙ Comp. air connection
- ⊙ Electrical connection
- ⊙ Leak detection port
- ⊙ Mech. pos. indication
- ⊙ Position indicator
- ⊙ Required for dismantling
- ⊙ Emergency actuation
- ⊙ For attachment
- ⊙ Bake-out area
- ⊙ Differential pumping port

Control angle Valve
UC-PFO / EtherCat / 2 sensors



VAT Vakuumventile AG

CH-9469 Haag, Switzerland
Tel ++41 81 7716161 Fax ++41 81 7714830

Rev.-Date: 24.02.23

Visa: GKY

Series	620	Ordering No.	62034-KEHX-0001
Projection E	DN	Flange	ISO-KF
	50		
Dimensional Drawing	1048696	Rev.	A