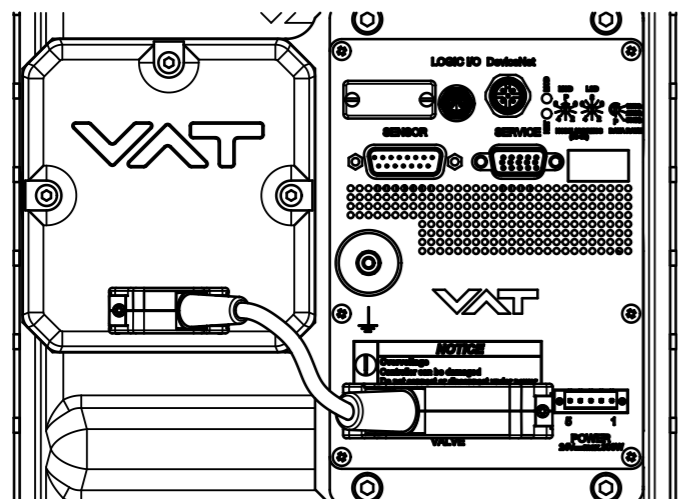


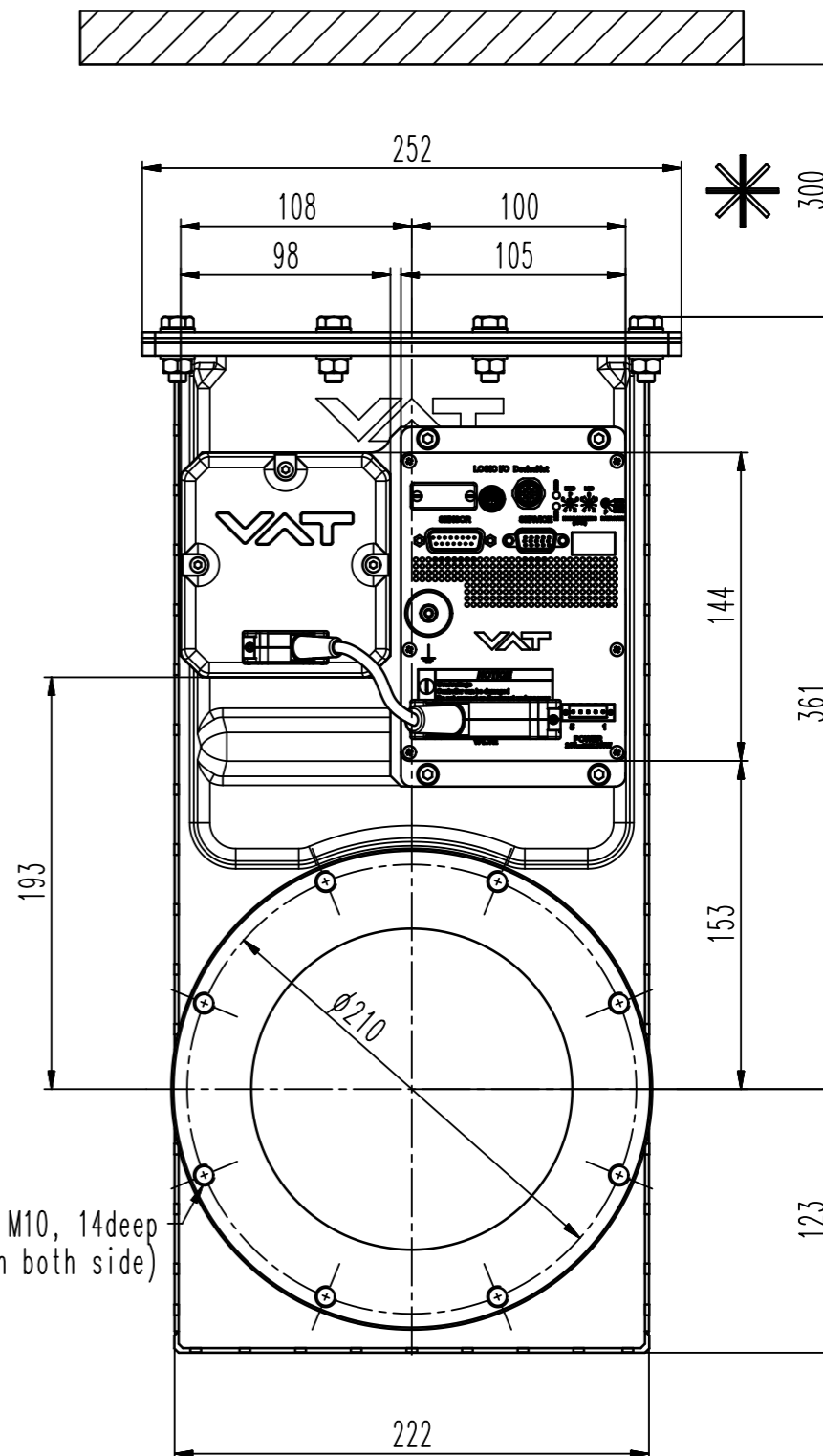
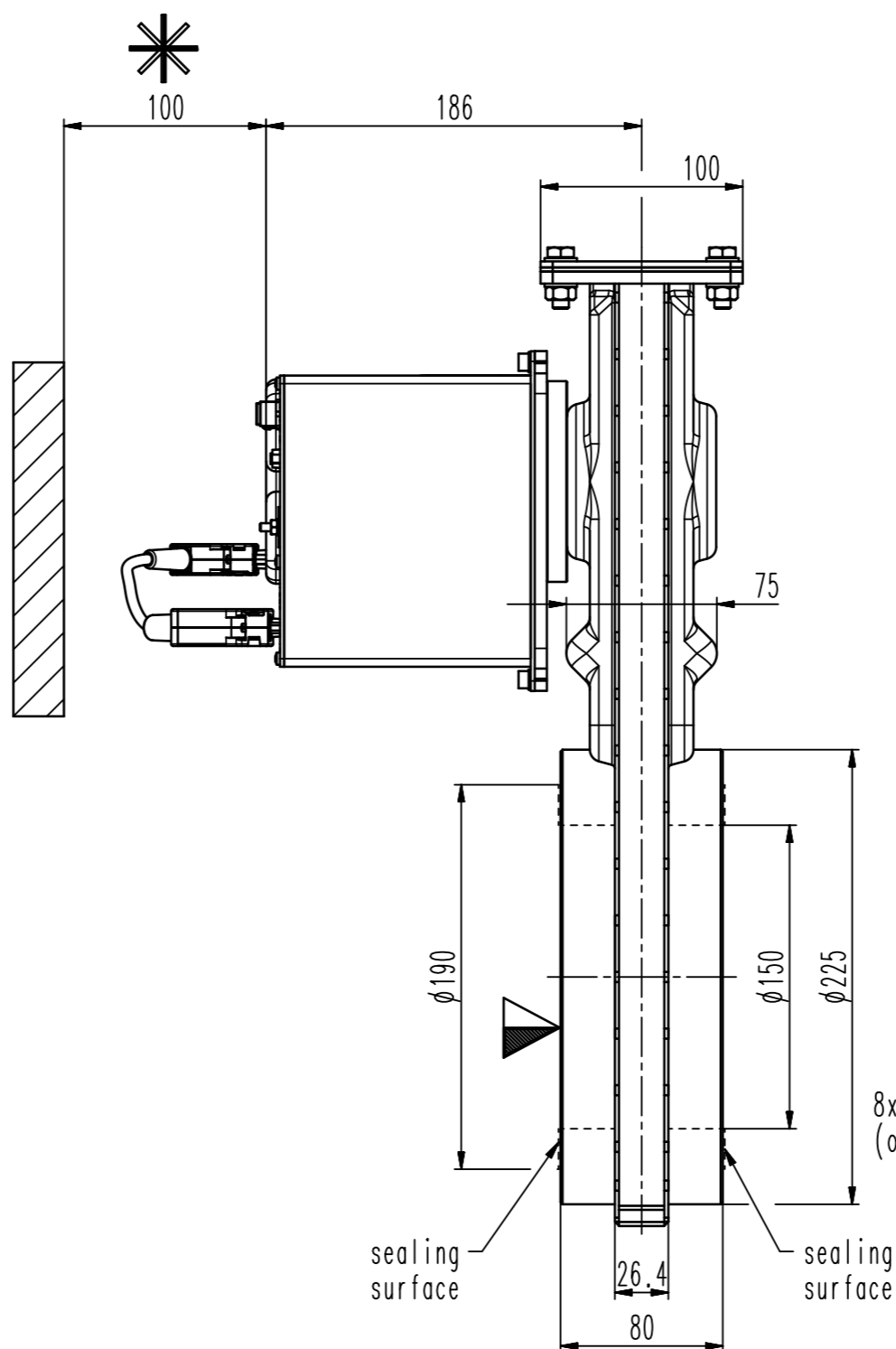
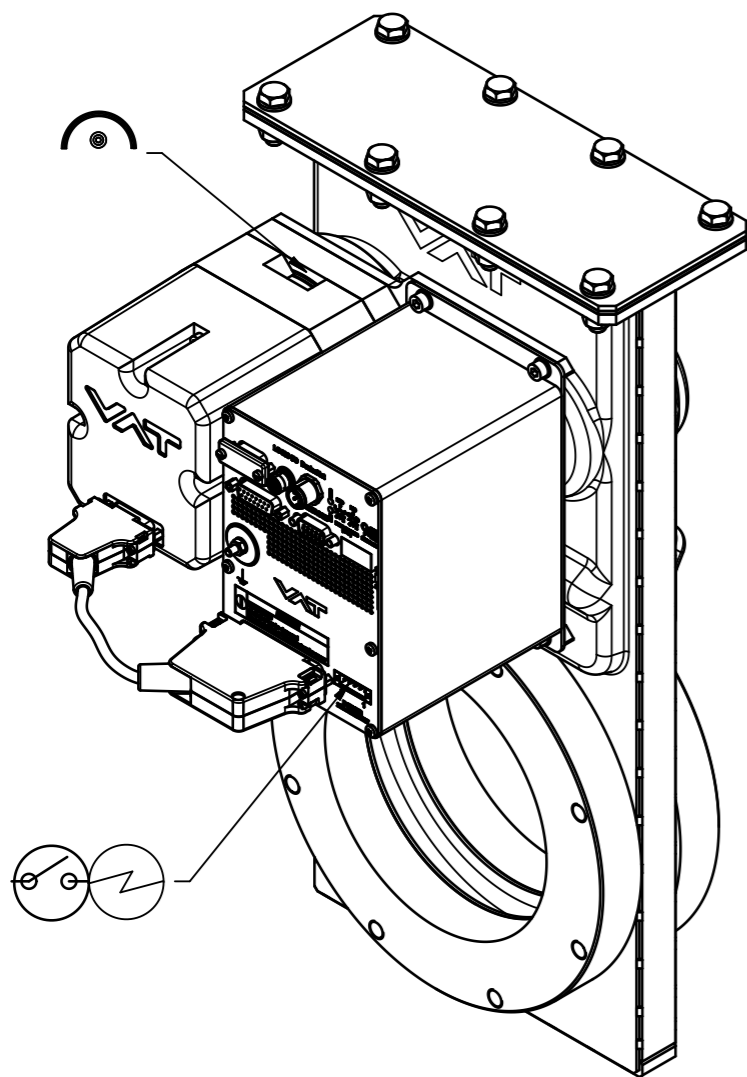
This drawing is the property of VAT.

Revision

Customer number




Connectors		
	Description	Type
POWER	Power input	Weidmüller SL3.5 male
SENSOR	Sensor input Sensor power supply	DB-15 female
LOGIC I/O	Logic input and output	Binder M8 female
INTERFACE	DeviceNet™ interface	Micro-style male



- ▼ Seat side
- ⊙ Comp. air connection
- ⊙ Electrical connection
- ⊙ Leak detection port
- ⊙ Mech. pos. indication
- ⊙ Position indicator
- ⊙ Required for dismantling
- ⊙ Emergency actuation
- ⊙ For attachment
- ⊙ Bake-out area
- ⊙ Differential pumping port

Control gate valve
UC-PFO / SPS / DeviceNet / 1 sensor



VAT Vakuumentile AG
CH-9469 Haag, Switzerland
Tel ++41 81 7716161 Fax ++41 81 7714830

Rev.-Date: 29.01.15
Visa: ARP

Series	642	Ordering No.	64244-JECP-0001
Projection E	DN	Flange	JIS
Dimensional Drawing	160	Rev.	785124