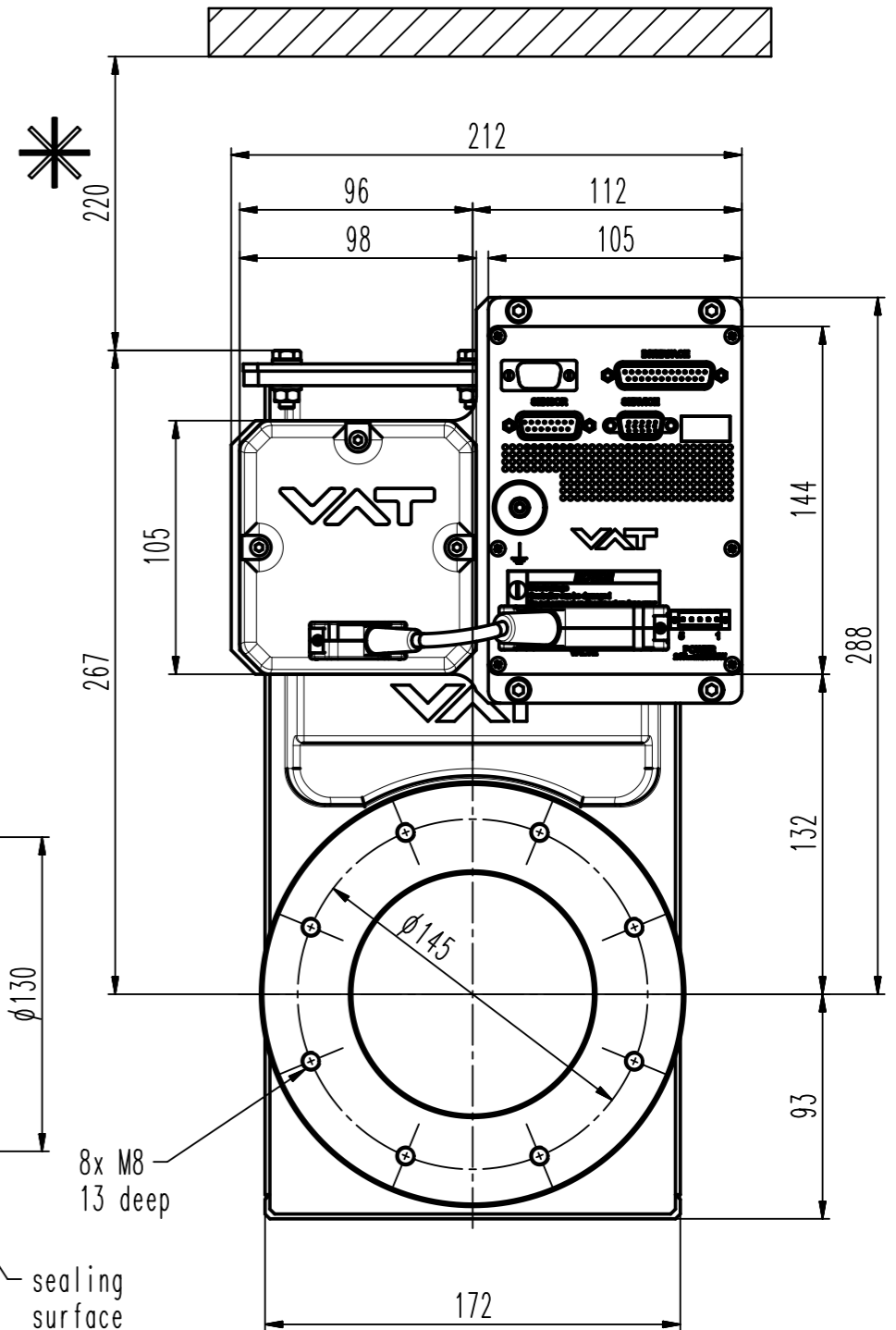
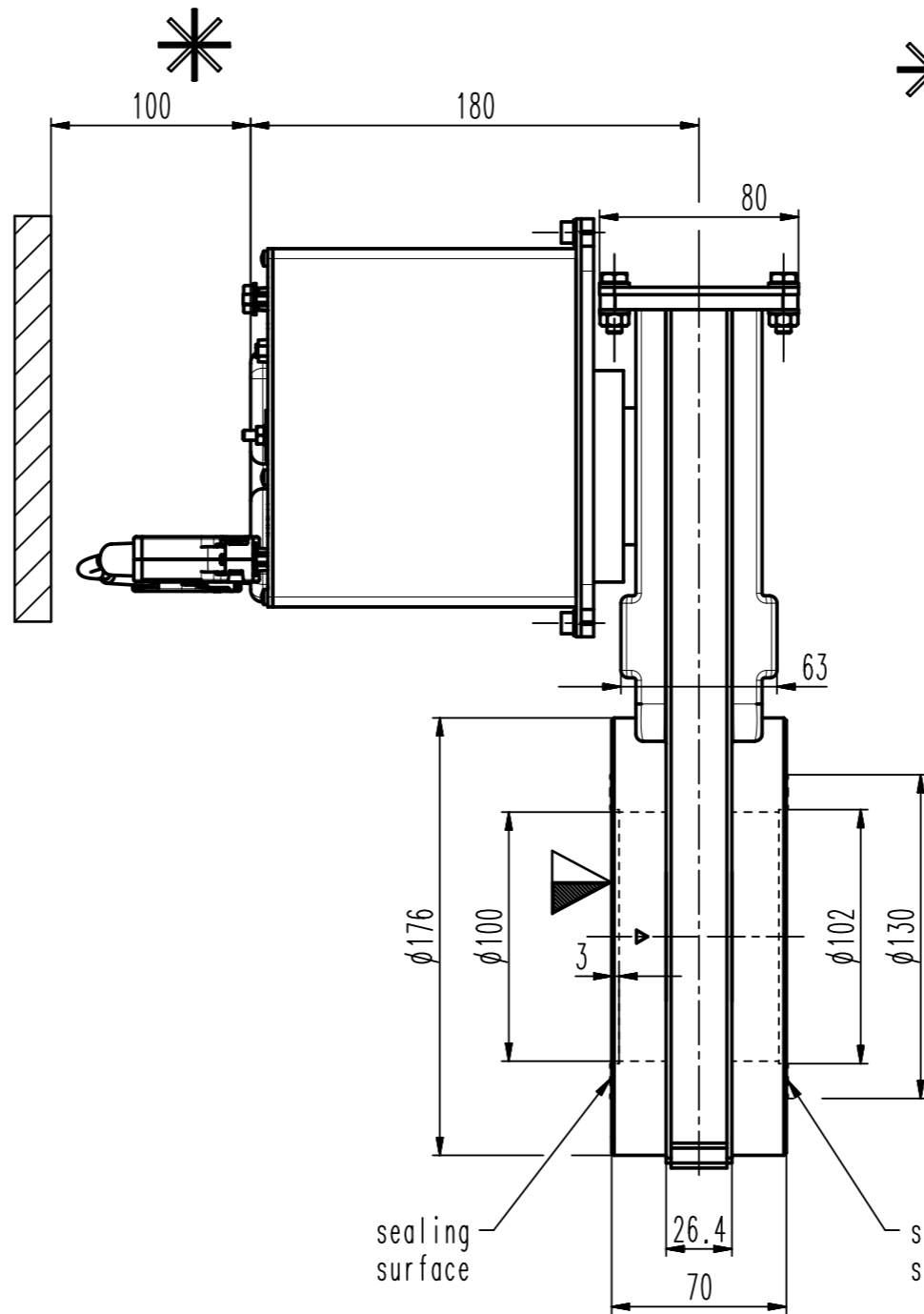
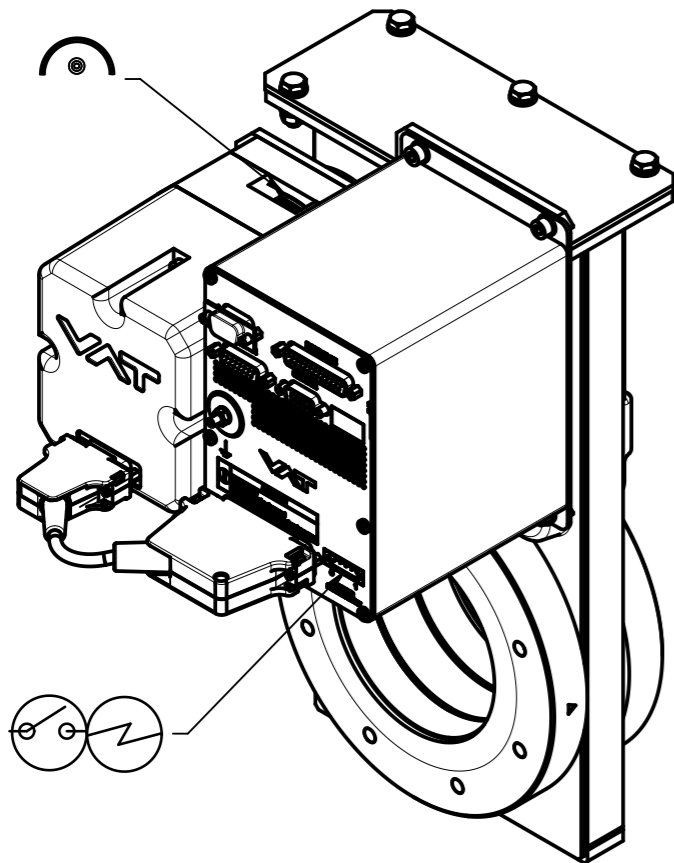


Connectors		
	Description	Type
POWER	Power input	Weidmueller SL3.5 male
SENSOR	Sensor input Sensor power supply	DB-15 female
INTERFACE	RS 485 interface	DB-25 female



- ▼ Seat side
- ⊙ Comp. air connection
- ⊙ Electrical connection
- ⊙ Leak detection port
- ⊙ Mech. pos. indication
- ⊙ Position indicator
- ⊙ Required for dismantling
- ⊙ Emergency actuation
- ⊙ For attachment
- ⊙ Bake-out area
- ⊙ Differential pumping port

Control gate valve
UC-PFO / RS485-Interface / 1 sensor



VAT Vakuumentile AG

CH-9469 Haag, Switzerland
Tel ++41 81 7716161 Fax ++41 81 7714830

Rev.-Date: 15.06.15

Visa: ARP

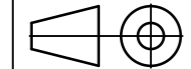
Series

642

Ordering No.

64240-PEHJ-0001

Projection E



DN

100

Flange

ISO-F

Dimensional Drawing

801242

Rev.